



Humidity Cabinets

Humidity Cabinets



Model AB7



Humidity Cabinets

C&W humidity cabinets are designed to reproduce test conditions of high humidity at constant or cycling temperatures.

The test chamber environment is created by water being heated to precise temperatures to generate the production of water vapour. The water vapour saturates the air in the test area which is constantly being circulated by the internal fan to ensure even distribution. The test panels or components are enveloped in the moisture enriched air, allowing the water to be absorbed by the coating and oxidising with the base metal resulting in either blistering of the coating or the formation of red rust or oxidation on a non-ferrous metal. This test is used to reproduce the exposure to naturally occurring condensation or by cycling the temperature in the cabinet, dew formation can be produced.

Operating Modes

C&W humidity cabinets provide a wide range of environmental test conditions:

- > Any constant temperature between 30°C and 80°C. +/- 1°C accuracy
- > Cyclic temperatures, step-up / step-down over time.
- > Constant high humidity – 95% to 100% saturated.
- > Air movement either fan assisted or by convection.

Meeting the Standards:

Our range of cabinets operate to all the following test methods:

- > BS 3900 F2, BS 3900 F9, BS 3900 F15.
- > ISO 6270, ISO 11503, ASTM D4585, ASTM D2247.
- > INS 30.16.08, EN 1096, DIN 50.517.

Design Benefits

C&W humidity cabinets - clean functional design with high specification components

- > Ergonomically designed control panel.
- > Corrosion resistant throughout.
- > Fire retardant GRP plastic structure with high chemical, water and temperature tolerance.
- > Wet seal apex roof, insulated or transparent.
- > Standard panel racks included, options available.
- > Ivory white standard cabinet colour, alternatives available on request.

Precise Control

C&W humidity cabinets are designed for ease of operation. Their comprehensive package of control and display features ensures that all cycles, events and functions can be closely monitored.



- > "Soft Touch" waterproof membrane keypad control panel.
- > Microprocessor controller with seven-programme memory.
- > Full digital display of test conditions.
- > Air circulation by internal fan ensures uniform test conditions.
- > Fully automatic liquid level control of humidifier reservoir.
- > NTC temperature sensor for precise control.
- > Over temperature safety cut out system.
- > Time cycle facility for precise test duration control.
- > Low water sensor protection.

Optional Extras

- > Continuous paper temperature recorder.
- > Entry ports for sensors, air or power connections.
- > Slotted apex roof for ISO 6270 - BS 3900 F9 testing.
- > Water temperature controller with submerged sensor to ISO 6270.
- > Air purge facility for cabinet ventilation as BS 3900 F15.
- > Sample racks, sample rods and spiked racks designed to customer requirements with slots cut to any width, vertical, 6 degrees or 15 degrees.



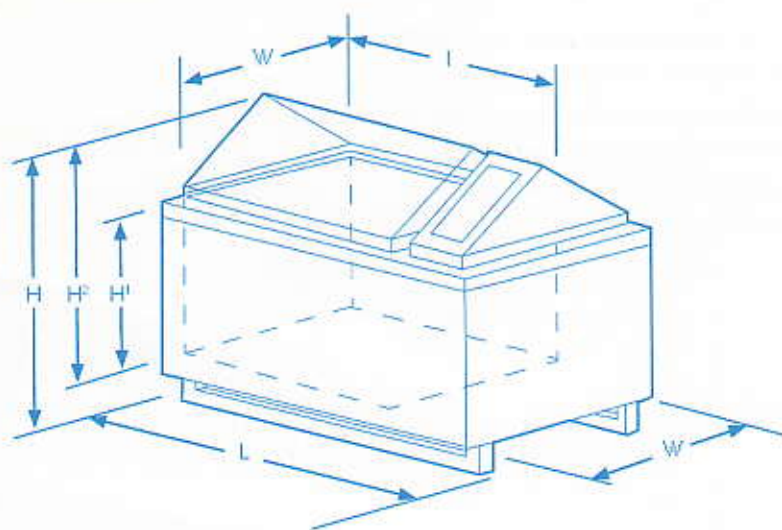
Corporate Standards:

Ford, GM, Honda, Nissan, Toyota, Volvo, Jaguar, Renault, VW,
VG.95210, VG.95332



Technical Specification

Cabinet Type		Humidity Cabinets				
Models		AB5 100 litre	AB6 200 litre	AB7 450 litre	AB8 1000 litre	AB9 2000 litre
Style		Floor Mounted				
External Dimensions	L	1000mm	1030mm	1370mm	1960mm	2400mm
	W	600mm	700mm	930mm	1335mm	1200mm
	H	645mm	1050mm	1130mm	1410mm	1645mm
Internal Dimensions	L	600mm	610mm	825mm	1465mm	2000mm
	W	450mm	510mm	635mm	1040mm	1000mm
	H ¹	375mm	455mm	620mm	720mm	850mm
	H ²	565mm	660mm	875mm	1065mm	1175mm
Panel Capacity		72	80	132	344	516
Power Supply Amp		13	13	12	20	32
Services		Power supply: 230 V 50/60Hz single phase, other voltages available on request.				
Water		TYPE: De-ionised or mains water below 50mg/litre TDS PRESSURE: 30 to 60psi (2 to 4 BAR)				
Drain		36mm outside diameter plastic pipe to liquid waste				



All cabinets are CE marked and have calibration traceable to UKAS. Certificates of conformity are supplied on request. ISO 9001 Registered Company BSEN ISO 9001:2000.

Due to continuous development we reserve the right to introduce improvements and /or modify specifications without prior notice.

Designed and printed in England Ref: 11-05-AB