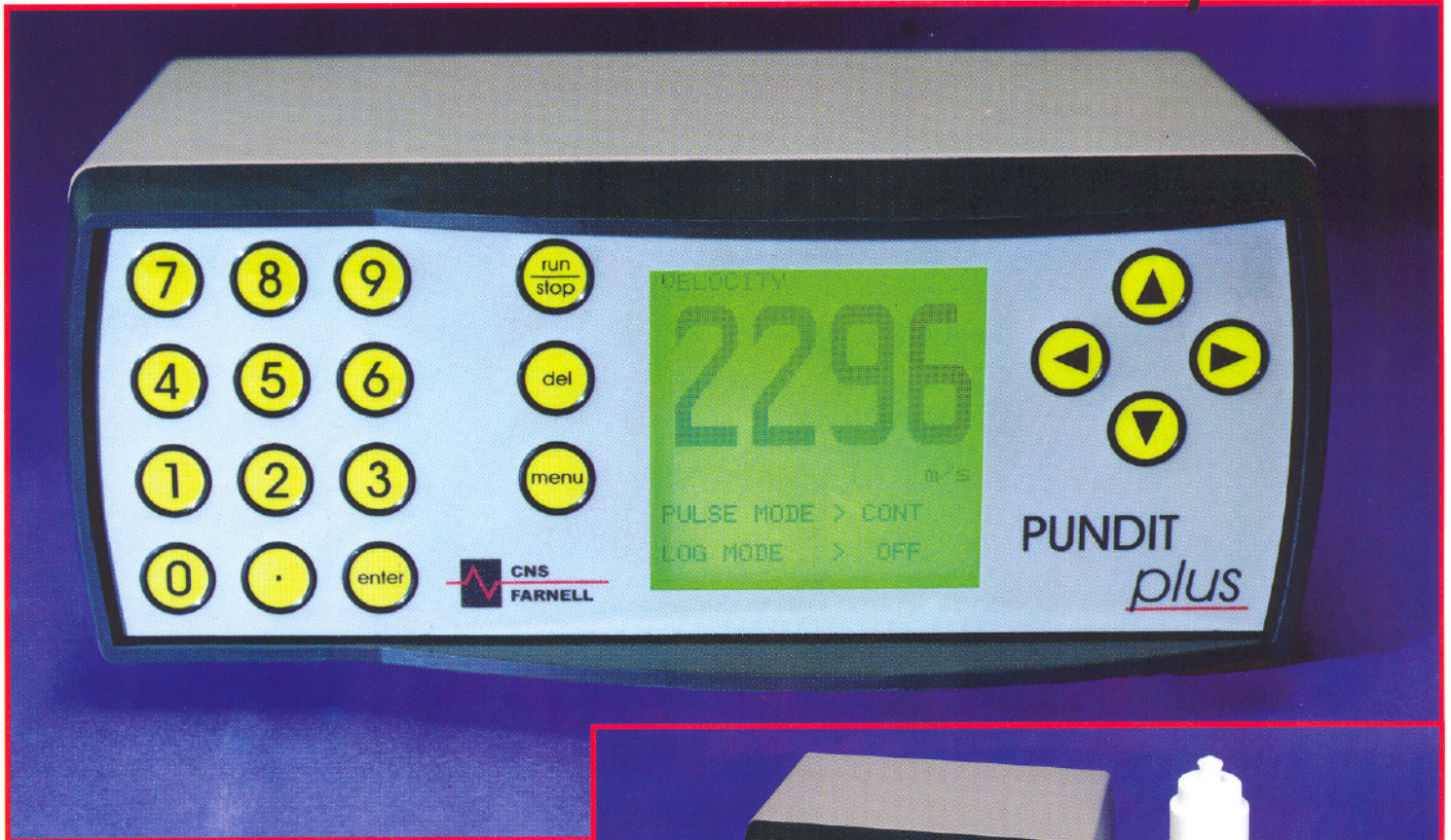




**CNS  
FARNELL**

**PUNDIT**  
*plus*

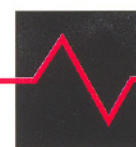


**Portable  
Ultrasonic  
Non-destructive  
Digital  
Indicating  
Tester**

The Pundit family of Ultrasonic Pulse Velocity (U.P.V.) instruments is accepted, by users throughout the world, as the industry standard for non-destructive concrete testing. Pundit Plus is the new generation unit, taking advantage of the latest microprocessor technology, to meet today's increasing demands for accuracy, reliability and ease of use.



- Ruggedly built for on-site reliability
- Simple, speedy operation
- Integral RS 232 interface
- Auto memory store for readings
- Large LCD display
- CE marked

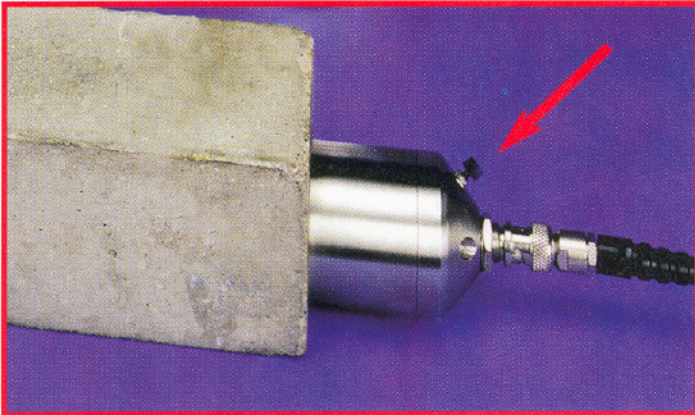


**CNS  
FARNELL**

# PUNDIT PLUS KIT

The full Pundit Plus kit includes:

- Pundit Plus supplied in carrying bag
- Mains lead and power supply
- Two 54kHz transducers
- Two 12ft (3.7 metre) cables
- Ultrasound couplant
- Operating manual



Transducer mounted switch simplifies the recording of readings.

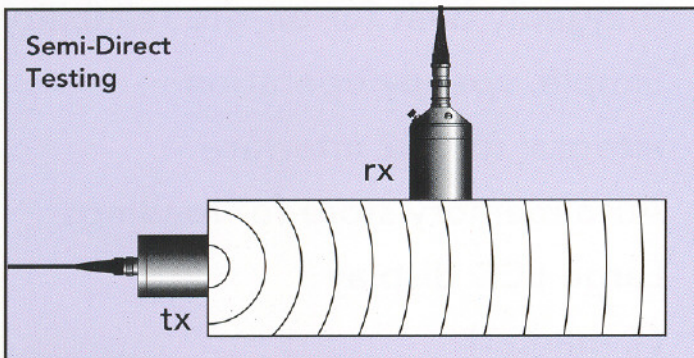
# PUNDIT PLUS

Advanced measurement features:

- Velocity
- Transit time
- Modulus of elasticity

Can be used to investigate:

- Concrete uniformity
- Cavities, cracks, fire/frost damage
- Strength



# SPECIFICATION

## MEASUREMENT RANGES

Mode:	Velocity	Transit time	Elastic Modulus
Range:	1 to 9999	0.1 to 9999µs	up to 999.9
Units:	m/s or ft/s	2 ranges 0.1 or 1µs	GN/m <sup>2</sup>
Accuracy:	±1 m/s or ft/s	±0.1µs	±0.1 GN/m <sup>2</sup>

Over Range: Indicated by over range message.

Lost Signal: Indicated by lost signal message.

## DISPLAY

128 x 128 dot LCD with back lighting.

## RS232C OUTPUT

Baud Rate: Fixed at 9600 baud.

Parity: None.

Data Bits: 8

Stop Bits: 1

## SCOPE OUTPUT

Synchronisation pulse: 3.5V positive, rise time 2µs

Signal: True facsimile of receiving transducer output for outputs up to 0.4V. For outputs in excess of this value the receiving transducer may be plugged directly into the CRO add-on unit with the time base synchronised from the instrument.

## TRANSMITTER

Energying Pulse: Nominal 1.2kV, 500V or 250V. 1.5µs duration.

## POWER SUPPLY

Battery: Internal rechargeable NiMH batteries 8 x 1.2V / 1.2 Ah.

Power supply: 100/240V AC input 50/60Hz. 20V DC output.

## ENVIRONMENTAL

Operating Temperature

Range: 0°C to 40°C

Dimensions: 250 x 160 x 100mm

Weight: 2.3kg electronics unit only.

Complete Kit: 5.0kg

## OPTIONAL EXTRAS

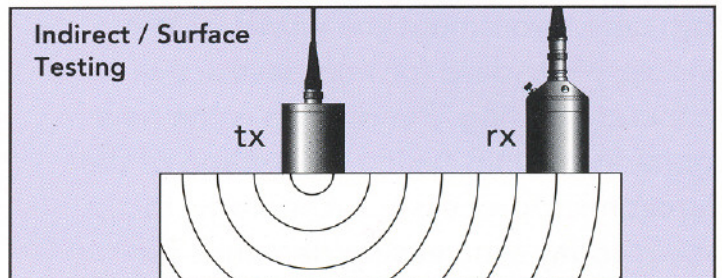
A range of transducers and amplifiers is available.

*Our continuing development programme means this specification may be subject to change.*

## Direct Testing



## Indirect / Surface Testing



CNS Farnell, 1 Manor Place, Manor Way, Borehamwood, Hertfordshire, England WD6 1WG

Tel. +44 (0) 20 8238 6900 Fax. +44 (0) 20 8238 6901  
E-mail: sales@cnsfarnell.co.uk Website: www.cnsfarnell.co.uk

© 2000 Printed in the U.K.